



**PONDMASTER**<sup>®</sup>  
POND PRODUCTS

Pumps,  
Filters,  
Waterfalls,  
and  
Accessories

PONDMASTER



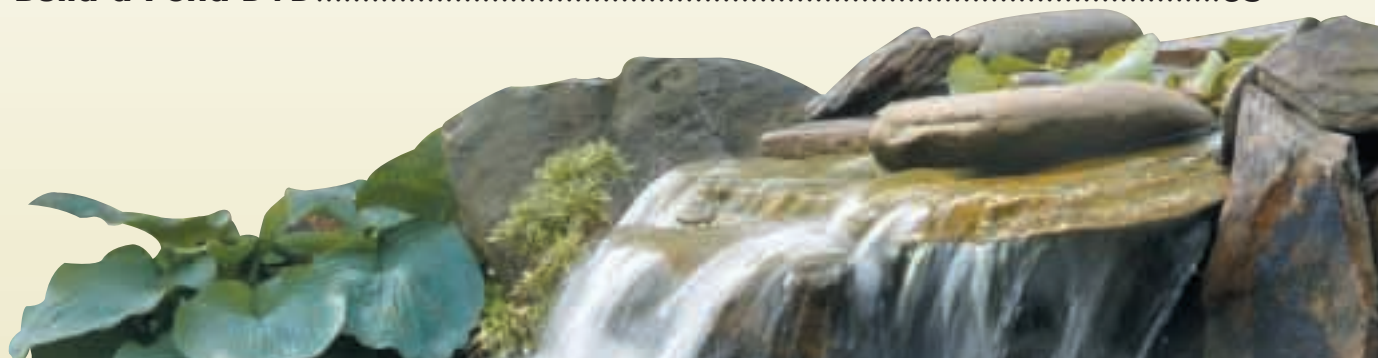
# TABLE OF CONTENTS

## PONDMASTER

■ Magnetic Drive Pumps .....	5-10
■ Waterfall and Skimmer Pumps .....	10
■ Hy-Drive Pumps .....	11
■ External Pumps .....	12
■ Ultraviolet Clarifiers .....	13
■ Pressurized Filter Systems.....	14-15
■ Filtration .....	16
■ Pond Kits.....	17
■ Replacement Filter Media .....	18
■ Pond Accessories - Tubing, Liners and Underlayment .....	19
■ Pond Accessories - Fountain Heads and Lighting .....	20
■ Pond Accessories - Air Pumps, Pond Heaters and Pond Netting .....	21
■ Water Treatments .....	22
■ Fish Food.....	23
■ Ground Fault Interrupter .....	23
■ Fittings.....	24
■ Ball Valves and Replacement Impellers .....	25
■ Rolling Pump Displays.....	26-27
■ Pumping Flow Versus Pumping Height Chart .....	28
■ Pump Data Chart .....	29

## PROLINE

■ About ProLine .....	30
■ Pro Skimmers .....	31
■ Pro Biological Filter and Falls.....	32
■ Pro 4800 Pump Vault.....	33
■ Pre-Assorted Pond Kits .....	34
■ How to Build a Pond DVD.....	35



# PONDMASTER®

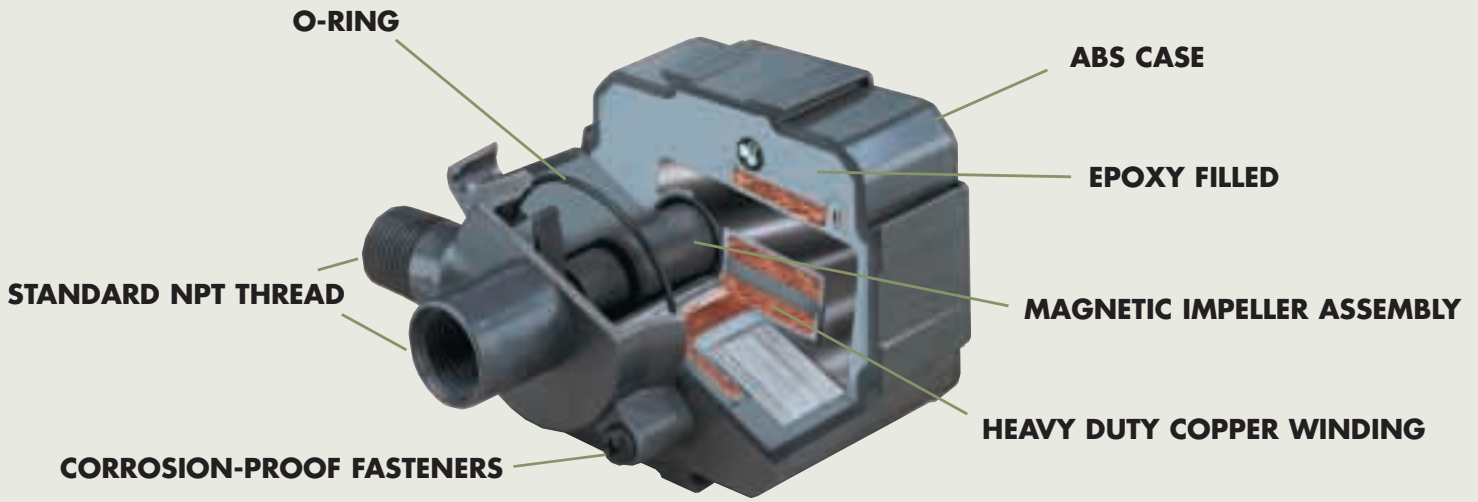


**Pondmaster Pond Products** From a large free-form outdoor pond to an intimate patio tub garden to a unique indoor waterscape, the beauty of exotic water plants, colorful swimming fish, the delightful rush of moving water, can be created as large or as small as you like, through the use of a flexible liner or pre-formed shell. Fountain heads add a pleasing focal point. Aeration and filtration help support plant and fish life. Let Pondmaster expand your water gardening horizons.

## **ProLine™** By **PONDMASTER®**

As water gardening has become more sophisticated, so has the need for larger, more complex pond pumps and filtration. To answer this demand, we have developed an array of products designed for the professional installer - and we call them ProLine. See page 30 of this catalog.

# THE ANATOMY OF A MAGNETICALLY DRIVEN PUMP



## MAGNETIC-DRIVE UTILITY PUMPS

Magnetic drive pumps are made to run continuously, without seals to wear out. Highly energy efficient, the savings pass on to the consumer. Being filled with epoxy, not oil, they cannot leak oil into the pond. All Pondmaster pumps are suitable for statuary, fountains, ponds, and/or aquariums. UL listed to U.S. and Canadian safety standards.

### Item# 02501 - Mini Pump 35

Suitable for table top fountains

- 35 gph maximum flow with a 2' shut-off
- Built-in adjustable flow control
- 6' grounded power cord
- One year limited warranty
- Packed 4 per master



02501

### Item# 02510 - Mini Pump 75

Suitable for table top fountains

- 75 gph maximum flow with a 2'6" shut-off
- Built-in adjustable flow control
- 6' grounded power cord
- One year limited warranty
- Packed 4 per master



02510

# MAGNETIC-DRIVE UTILITY PUMPS

## Item# 02520 - MD 1

Suitable for small garden fountains, piped statuary, and shallow water conditions

- 80 gph maximum flow with a 2'6" shut-off
- 6' grounded power cord
- Can be used in a horizontal or vertical position
- Built-in adjustable flow control
- Foam pre-filter included
- One year limited warranty
- Packed 4 per master



02520

## Item# 02521 - MD 1.5

Suitable for small garden fountains, piped statuary, small tub ponds, and shallow water conditions

- 140 gph maximum flow with a 6' shut-off
- 6' grounded power cord
- Can be used in a horizontal or vertical position
- Built-in adjustable flow control
- Foam pre-filter included
- One year limited warranty
- Packed 4 per master



02519

## Item# 02519 - MD 1.9

Suitable for small to medium size garden fountains, piped statuary, and ponds

- 190 gph maximum flow with a 7' shut-off
- 10' grounded power cord
- Can be used in a horizontal or vertical position
- Built-in adjustable flow control
- Ceramic shaft
- Foam pre-filter included
- Elbow included
- Three year limited warranty
- Packed 4 per master



## Item# 02512 - MD 2/Item# 02522- PM 2

Suitable for small to medium garden fountains, piped statuary, and ponds

- 250 gph maximum flow with a 7' shut-off
- Ceramic shaft
- Foam prefilter included
- Operates submerged or in-line
- Three year limited warranty
- Packed 6 per master
- MD 2 - 10' grounded power cord
- PM 2 - 18' grounded power cord



02512

# MAGNETIC-DRIVE UTILITY PUMPS

## Item# 02513 - MD 3/Item# 02523 - PM 3

Suitable for medium garden fountains, piped statuary, and ponds

- 350 gph maximum flow with a 10'6" shut-off
- Ceramic shaft
- Foam prefilter include
- Operates submerged or in-line
- Three year limited warranty
- Packed 6 per master
- MD 3 - 10' grounded power cord
- PM 3 - 18' grounded power cord



02513

## Item# 02515 - MD 5/Item# 02525 - PM 5

Suitable for medium garden fountains, piped statuary, and ponds

- 500 gph maximum flow with a 10'6" shut-off
- Ceramic shaft
- Foam prefilter included
- Operates submerged or in-line
- Three year limited warranty
- Packed 6 per master
- MD 5 - 10' grounded power cord
- PM 5 - 18' grounded power cord



02710

## Item# 02517 - MD 7/Item# 02527 - PM 7

Suitable for medium to large garden fountains, piped statuary, and ponds

- 700 gph maximum flow with a 11'8" shut-off
- Ceramic shaft
- Foam prefilter included
- Operates submerged or in-line
- Three year limited warranty
- Packed 6 per master
- MD 7 - 10' grounded power cord
- PM 7 - 18' grounded power cord

## Item# 02710 - MD 9.5/Item# 02720 - PM 9.5

Suitable for large garden fountains, piped statuary, and ponds

- 950 gph maximum flow with a 12'10" shut-off
- Ceramic shaft
- Foam pre-filter included
- Operates submerged or in-line
- Three year limited warranty
- Packed 2 per master
- MD 9.5 - 10' grounded power cord
- PM 9.5 - 18' grounded power cord



02710 Shown with pre-filter

# MAGNETIC-DRIVE UTILITY PUMPS

## Item# 02712 - MD 12/Item# 02722 - PM 12

Suitable for large garden fountains, piped statuary, and ponds

- 1200 gph maximum flow with a 13'6" shut-off
- Ceramic shaft
- Foam pre-filter included
- Operates submerged or in-line
- Three year limited warranty
- Packed 2 per master
- MD 12 - 10' grounded power cord
- PM 12 - 18' grounded power cord

## Item# 02718 - MD 18/Item# 02728 - PM 18

Suitable for large to extra large garden fountains, piped statuary, and ponds

- 1800 gph maximum flow with a 15'6" shut-off
- Ceramic shaft
- Foam pre-filter included
- Operates submerged or in-line
- Three year limited warranty
- Packed 2 per master
- MD 18 - 10' grounded power cord
- PM 18 - 18' grounded power cord

## Item# 02740 - MD 24/Item# 02750 - PM 24

Suitable for large to extra large garden fountains, piped statuary, and ponds

- 2400 gph maximum flow with a 20' shut-off
- Energy efficient
- Ceramic shaft
- Filled with epoxy, not oil
- Pre-filter included
- 1 inch threaded inlet/outlet
- Operates submerged or in-line
- Three year limited warranty
- Packed 2 per master
- MD 24 - 10' grounded power cord
- PM 24 - 18' grounded power cord

## Item# 02745 - MD 36 Pump with Pre-Filter Item# 02755 - PM 36 Pump with Pre-Filter

Provides sustained flow at high head pressure, or longer pipe runs

- 3600 gph maximum flow with a 18'4" shut-off
- Energy efficient, uses only 3 amps, 380 watts
- Ceramic shaft
- Filled with epoxy, not oil
- Pre-filter included
- 1 inch threaded inlet/outlet
- Operates submerged or in-line
- Three year limited warranty
- Packed 2 per master
- MD 36 - 10' grounded power cord
- PM 36 - 18' grounded power cord

## Item# 12785 - Washable Pre-Filter

Available separately, fits 950-3600 gph pumps

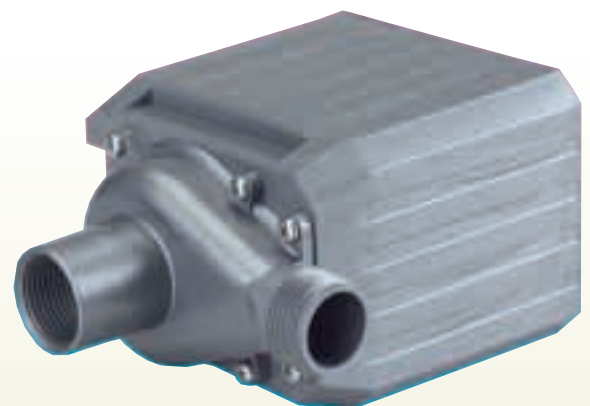
- Packed 6 per master



Washable Pre-Filter



02722



02755

# MAGNETIC-DRIVE UTILITY PUMPS

## Replacement Pumps for Statuary and Fountains, with Retail Packaging

Mid-range pumps with flow control and filter screen

- Packed 6 per master, retail clamshell packaging
- 4 color stackable or nestable clamshell
- 18' grounded power cord
- Patented technology
- High head height pumping capability
- Non clogging built in plastic pre-filter
- Compact to fit into statue bases
- Energy efficient and quiet
- Built in flow control
- One year limited warranty

### Item# 02620

- 75 gph maximum flow with a 2'6" shut-off
- Maximum wattage 3

### Item# 02621

- 110 gph maximum flow with a 4'6" shut-off
- Maximum wattage 12

### Item# 02622

- 150 gph maximum flow with a 6' shut-off
- Maximum wattage 12

### Item# 02615

- 260 gph maximum flow with a 7' shut-off
- Maximum wattage/amps 25/.38

### Item# 02616

- 375 gph maximum flow with an 11' shut-off
- Maximum wattage/amps 38/.83

### Item# 02617

- 515 gph maximum flow with an 11' shut-off
- Maximum wattage/amps 48/.89

### Item# 02618

- 750 gph maximum flow with a 12.5' shut-off
- Maximum wattage/amps 70/1.3



## 5000 MAGNETIC-DRIVE UTILITY PUMP

**Submersible High Volume Pump.** The Pondmaster 5000 pump uses magnetic drive technology, is epoxy-filled (no oil) and employs a ceramic shaft. The pumps also feature an ABS case, corrosion-proof fasteners, and heavy duty copper windings, resulting in a durable, energy-efficient, and long lasting product. UL listed to U.S. and Canadian safety standards. Three year limited warranty.

### Item# 02760 - 5000 GPH Magnetic-Drive Utility Pump

Designed for High Volume Water Circulation This Efficient Pump can be used for Waterfalls, Skimmers and Large Water Features, Garden Ponds, Fountains, Koi Ponds

#### FEATURES

- Powerful magnetic drive
- Energy efficient, pays for itself in energy savings
- 18' power cord
- Completely submersible
- Clog-resistant filter screen
- 3 year limited warranty
- Fish safe because it's oil free
- Designed to maintain high flow at greater pumping height up to 19'2"
- Size of inlet 1-1/4" NPT
- Size of outlet 1-1/2" NPT

Protected by US Patents #5,967,744 #5,586,862 #6,309,188



## WATERFALL AND SKIMMER PUMPS

### Submersible Pumps for Waterfalls and Skimmers

The Pondmaster magnetic drive Waterfall/Skimmer Pumps are high-capacity pumps designed specifically for use in larger pond installations. These highly efficient units, featuring reliable ceramic bearings, deliver up to 3000 GPH, enough to create a dynamic, attractive waterfall or drive a medium- to large-size in-pond skimmer.

#### FEATURES

- Specifically designed for use with skimmers and waterfalls
- Powerful, efficient magnetic drive motor
- Fish safe because no oil is used
- Continuous duty operation
- Completely submersible
- Includes extra-large clog-resistant filter screen
- Back-flow check valve and 1-1/2" fittings supplied
- Extra long 20' power cord with grounded plug
- 1 year warranty



### Item# 02650 - 3000 GPH Submersible Waterfall Pump

<b>Max. Flow Rate</b>	<b>2000 GPH</b>
<b>Max. Pumping Height</b>	<b>14 Feet</b>
<b>Current</b>	<b>1.8A/150 Watts</b>
<b>Weight</b>	<b>9 lbs.</b>

### Item# 02660 - 3000 GPH Submersible Waterfall Pump

<b>Max. Flow Rate</b>	<b>3000 GPH</b>
<b>Max. Pumping Height</b>	<b>15 Feet</b>
<b>Current</b>	<b>2.1A/235 Watts</b>
<b>Weight</b>	<b>11 lbs.</b>

# PRO XP HY-DRIVE PUMPS

## Submersible/Inline Pumps for Water Gardens and Ponds

The Pondmaster® Pro HY-Drive™ pumps are unique, high-capacity pumps designed specifically for use in larger pond installations. Next generation HY-Drive design combines the benefits of magnetic and direct-drive technologies to deliver an extremely quiet, energy efficient, low maintenance pumping source. Three models, delivering up to 4800 GPH, go easy on the wattage, yet are powerful enough to create a dynamic, attractive waterfall or drive a medium- to large-size skimmer. The heavy-duty polypropylene enclosure has a built-in carry handle and an effective molded-in debris screen. HY-Drive pumps can be positioned vertically or horizontally and are equally at home underwater as a submersible pump or as an inline, external pumping source. Available in 3200 GPH, 4000 GPH and 4800 GPH capacities.

### FEATURES

- Powerful, efficient hybrid magnetic/direct drive motor
- Whisper-quiet operation
- Fish-safe because no oil is used
- Continuous duty operation
- Convenient carry handle
- Inline and submersible operation
- Includes extra-large clog-resistant filter screen
- Adapts to 1-1/2" threaded fittings with Back-flow check valve supplied
- Extra long 20' power cord with grounded plug

### Item# 02680 - Pro 3200-XP HY-Drive Pump

<b>Max. Pond Size</b>	<b>6,000 Gallons</b>
<b>Max. Flow Rate</b>	<b>3200 GPH</b>
<b>Max. Pumping Height</b>	<b>15 Feet</b>
<b>Current</b>	<b>1.5A/180 Watts</b>
<b>Weight</b>	<b>11 lbs.</b>

### Item# 02675 - Pro 4000-XP HY-Drive Pump

<b>Max. Pond Size</b>	<b>8,000 Gallons</b>
<b>Max. Flow Rate</b>	<b>4000 GPH</b>
<b>Max. Pumping Height</b>	<b>17 Feet</b>
<b>Current</b>	<b>1.85A/220 Watts</b>
<b>Weight</b>	<b>13 lbs.</b>

### Item# 02670 - Pro 4800-XP HY-Drive Pump

<b>Max. Pond Size</b>	<b>10,000 Gallons</b>
<b>Max. Flow Rate</b>	<b>4800 GPH</b>
<b>Max. Pumping Height</b>	<b>20 Feet</b>
<b>Current</b>	<b>2.15A/280 Watts</b>
<b>Weight</b>	<b>15 lbs.</b>



Pump Housing



HY-Drive Pump

## EXTERNAL PUMPS

The **Pondmaster X-Series** is designed for moderate- to high-volume pumping for both ponds and waterfalls. Despite their greater pumping capacity, these heavy-duty 115V pumps are extremely energy efficient, using less power than other comparable direct drive and magnetically driven pumps. Available in 5 models of either single speed or two speed configurations, they offer pumping capacities from 2500 GPH to 8400 GPH.

All X-Series pumps come standard with 6' power cords, back flow check valves, and 6" debris-limiting filter baskets. They are adaptable to standard 1-1/2" to 2" PVC pipe fittings. All pumps can be supplied with or without debris baskets. These pumps are designed for outdoor operation and do not require special protection other than standard winterization in colder climates.

### Single Speed External Pumps

#### Item# 02775 - Model X-2520

<b>Capacity</b>	<b>3100 GPH</b>
<b>Power</b>	<b>1/15 hp</b>
<b>Shut-off</b>	<b>10.9'</b>
<b>Amps</b>	<b>1.3</b>
<b>Watts</b>	<b>149.5</b>
<b>Weight</b>	<b>13 lbs.</b>

#### Item# 02776 - Model X-4140

<b>Capacity</b>	<b>4300 GPH</b>
<b>Power</b>	<b>1/6 hp</b>
<b>Shut-off</b>	<b>13.4'</b>
<b>Amps</b>	<b>1.7</b>
<b>Watts</b>	<b>195.5</b>
<b>Weight</b>	<b>18 lbs.</b>

#### Item# 02777 - Model X-6120

<b>Capacity</b>	<b>5350 GPH</b>
<b>Power</b>	<b>1/4 hp</b>
<b>Shut-off</b>	<b>15.5'</b>
<b>Amps</b>	<b>2.5</b>
<b>Watts</b>	<b>287.5</b>
<b>Weight</b>	<b>20 lbs.</b>

### Two Speed External Pumps

#### Item# 02778 - Model X-7020

	<b>High</b>	<b>Low</b>
<b>Capacity</b>	<b>7020 GPH</b>	<b>2940 GPH</b>
<b>Power</b>	<b>1 hp</b>	<b>1 hp</b>
<b>Shut-Off</b>	<b>50.8'</b>	<b>11.6'</b>
<b>Amps</b>	<b>11.0</b>	<b>2.9</b>
<b>Watts</b>	<b>1265</b>	<b>333.5</b>
<b>Weight</b>	<b>26 lbs.</b>	<b>26 lbs.</b>

#### Item# 02779 - Model X-8400

	<b>High</b>	<b>Low</b>
<b>Capacity</b>	<b>8400 GPH</b>	<b>3600 GPH</b>
<b>Power</b>	<b>1.5 hp</b>	<b>1.5 hp</b>
<b>Shut-off</b>	<b>54.5'</b>	<b>13.9'</b>
<b>Amps</b>	<b>13.8</b>	<b>3.8</b>
<b>Watts</b>	<b>1587</b>	<b>437</b>
<b>Weight</b>	<b>28 lbs.</b>	<b>28 lbs.</b>



# ULTRAVIOLET CLARIFIERS

Introducing three new submersible Ultraviolet Clarifiers with the glowing monitor halo ring™ that immediately shows it's working. The ultraviolet light can be used completely submersed or can be placed outside of the pond. The black color makes it unobtrusive wherever it's used. Visible during the day and night from any angle, the soft blue halo shows it's working, but does not detract from the beauty of your pond. Designed to handle the clarifying needs of ponds up to 6,000 gallons. These lights offer great value, along with ease of use unsurpassed by any other ultraviolet sterilizer. Look for these submersible lights-they're what every pond needs. UL listed to U.S. and Canadian safety standards.

So good it's got a halo around it

## Submersible Ultraviolet Clarifier - UPC 02910

Clarifier suitable for small ponds up to 1500 gallons using pumps up to 700 GPH

- Fully submersible unit's vortex flow design exposes water longer to ultraviolet light
- Glowing monitor halo ring™, visible from any angle immediately shows it's working
- Comes complete with 9000 hour, long life 10 watt lamp and water tight quartz sleeve
- Includes transformer and 18' grounded power cord
- Black color is unobtrusive whether used in or out of the water
- 3/4" barbed fitting for inlet and outlet

## Submersible Ultraviolet Clarifier - UPC 02920

Similar to above but suitable for medium ponds up to 3000 gallons with pumps up to 1800 GPH

- Two glowing monitor halo rings™
- Complete with 9000 hour, long life 20 watt lamp and water tight quartz sleeve
- 1" barbed fitting for inlet and outlet

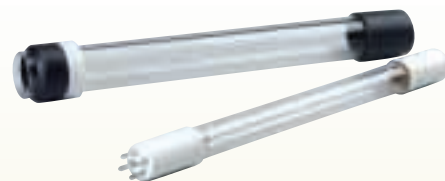
## Submersible Ultraviolet Clarifier - UPC 02940

Similar to above but suitable for large ponds up to 6000 gallons with pumps up to 3000 GPH

- Three glowing monitor halo rings™
- Complete with 9000 hour, long life 40 watt lamp and water tight quartz sleeve
- 1-1/2" threaded fitting with 1-1/2" barbed elbow included



The unique vortex flow design of the Ultraviolet Clarifier increases water contact time with the ultraviolet light, while the slim diameter lamp allows the water to get closer to the intense UV rays.



## Ultraviolet Lighting Replacement Parts Individually packed, shipped 4 per carton

<b>UPC 12971</b>	<b>9000 hour, 10 watt lamp</b>
<b>UPC 12972</b>	<b>9000 hour, 20 watt lamp</b>
<b>UPC 12974</b>	<b>9000 hour, 40 watt lamp</b>
<b>UPC 12981</b>	<b>10 watt quartz sleeve</b>
<b>UPC 12982</b>	<b>20 watt quartz sleeve</b>
<b>UPC 12984</b>	<b>40 watt quartz sleeve</b>



**3-Way Master Valve shown with Swivel Fittings.**

Available swivel fittings make connecting and removing flexible tubing easier and quicker.

## PRESSURIZED FILTER SYSTEM

The **Pondmaster Pressurized Filter System** features a unique, manually operated agitator for dislodging over 90% of the pond residue that accumulates in the filter chamber. This patent pending feature is employed during the backwash and rinse operation. Available in 3 capacities, with or without an internally mounted, integrated UV filter light that eliminates green water.

### FEATURES

- Agitator unlocks waste from media saving the amount of water discharged during backwash and rinse cycles
- Unique, patent pending 3-way master valve locks into "run", "rinse", and "backwash" settings
- Clear-vue inspection port to monitor water clarity during backwash/rinse operation
- Positive pressure lock ring to ensure a tight water seal
- Bio-Matrix™ Media affords maximum surface area for beneficial bacteria growth
- Heavy duty poly canister can be buried for hidden installation
- Integrated waterproof UV transformer
- Optional field-installed bottom drain available (not included)
- 1-1/2" threaded fittings, ball valves for waste line and swivel fitting included

#### P-4000 - UPC 05040

For use with pumps of 1000-4000 GPH  
with 20' Max pumping height

- 5000 gallon capacity, without UV light

#### PUV-4000 - UPC 05045

For use with pumps of 1000-3000 GPH  
with 20' Max pumping height

- 5000 gallon capacity, with UV light

#### P-2000 - UPC 05020

For use with pumps of 1000-2000 GPH  
with 20' Max pumping height

- 2000 gallon capacity, without UV light

#### PUV-2000 - UPC 05025

For use with pumps of 1000-2000 GPH  
with 20' Max pumping height

- 2000 gallon capacity, with UV light

#### P-1000 - UPC 05010

For use with pumps of 900-2000 GPH  
with 20' Max pumping height

- 1000 gallon capacity, without UV light

#### PUV-1000 - UPC 05015

For use with pumps of 900-1500 GPH  
with 20' Max pumping height

- 1000 gallon capacity, with UV light



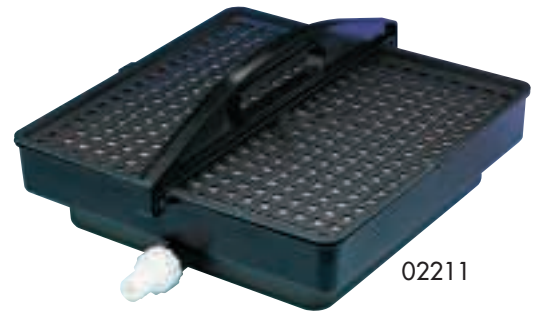
## FILTRATION

These innovative low profile filters are designed to be unobtrusive in the bottom of the pond. Their large filter area means less frequent cleaning. More than one filter can be connected to a pump using a tee fitting. These filters offer mechanical, chemical, and biological filtration.

### PM 1000 - UPC 02211

Suitable for small to medium ponds

- 12"x12" filter box with locking handle
- Carbon and polyester media for mechanical/biological/chemical filtration
- Connects to intake side of pump
- Complete with 3/4" I.D. tubing and fittings
- Connect more than one to a pump
- For in pond use only
- Packed 4 per master



### PM 2000 - UPC 02200

Suitable for medium to large ponds

- 12"x 24" filter box with carrying handle
- Polyester and biological foam inserts, (suitable to hold other biological media)
- Connects to intake side of pump
- Complete with 1" I.D. tubing and fittings
- Connect more than one to a pump
- For in pond use only
- Packed 2 per master



## 2002 FLOATING SKIMMER/FILTER SYSTEM

The Pondmaster 2002 Floating Skimmer cleans water in two ways: The automatic self-adjusting skimmer basket removes debris from the pond surface quickly and completely, while the filter system eliminates suspended particles from below the water surface.

### 2002 Floating Skimmer/Filter System - UPC 02240

Suitable for ponds up to 2000 gallons

- Cleans Water 2 Ways, with a Skimmer and Filter
- Skims Debris Off Top, Middle & Bottom of the Pond
- Removes Pollen, Acorns, Leaves, etc
- For use with Pumps 1800-2400 Gallons per Hour
- No Liner Cutting, or Major Pond Alterations Necessary
- Convenient Handle for Taking Filter Out of Water
- Non Obtrusive Skimmer Floats just below Water Surface
- Allows for 6" of movement to accommodate water level fluctuation
- Aerates water which promotes fish health and activity Skimmer Basket
- Filter Rests on Bottom of Pond
- Quick and easy installation
- Packed 2 per master



Shown with optional blue polyester media and lava rock

## POND KITS

**A great way to start the excitement of water gardening.** Offered as the easy and practical way to encourage sales by matching pumps with filters and including fountain heads with tubing and fittings where necessary. Can be used with rigid or flexible liners.

### PMK 190 - UPC 02019

Suitable for small to medium ponds and containers

- 190 gph pump
- Deluxe filter system
- Bell fountain head
- Mechanical and biological filtration
- Packed 4 per master

### PMK 1250 - UPC 02212

Suitable for small to medium ponds up to 600 gallons

- 250 gph pump
- Deluxe filter system (PM1000)
- Bell and adjustable fountain heads
- Tubing and fittings
- Mechanical, biological and chemical filtration
- Packed 2 per master

### PMK 1350 - UPC 02213

Same as PMK 1250 but with a 350 gph pump  
Suitable for medium ponds up to 800 gallons

### PMK 1500 - UPC 02215

Same as PMK 1250 but with a 500 gph pump  
Suitable for medium ponds up to 1,000 gallons

### PMK 1700 - UPC 02217

Same as PMK 1250 but with a 700 gph pump  
Suitable for medium to large ponds up to 1,250 gallons

Waterscaping should not be limited to in-ground ponds. Create additional sales by offering kits designed for use with patio ponds and tub gardens. Components are sized to work together ensuring customer satisfaction. Perfect for the individual who does not wish a full size pond. Especially suited for small areas or for indoors.

### Promotional Pump and Fountain Kit - UPC 02273

Suitable for small barrels and containers

- 190 gph pump
- Bell fountain head
- Block foam filter
- Packed 4 per master



02019



02212



02273

# REPLACEMENT FILTER MEDIA

**Pondmaster** has an extensive line of replacement media carefully designed to maintain the effectiveness of the original filter. Coarse polyester and foam offer biological filtration, carbon impregnated media offers chemical and biological filtration, all offer mechanical filtration. Filtration helps support plant and fish life. Your customer will appreciate the genuine replacement.

## UPC 11103 - Replacement Pads

For PM 200

- Carbon 3 Pak, Packed 12 per master

## UPC 11104 - Replacement Pads

For PM 200

- Coarse Poly 2 pak, Packed 12 per master

## UPC 12102 - Replacement Sleeve

For Universal Filter

- Poly Sleeve, Packed 12 per master

## UPC 12105 - Replacement Sleeve

For Universal Filter

- Foam Sleeve, Packed 12 per master

## UPC 12195 - Replacement Pads

For PMK 190

- Foam/Coarse Poly combo pak, Packed 6 per master

## UPC 12201 - Replacement Pads

For PM 1000, PM 2000 †\*

- Poly 3 pak, Packed 6 per master

## UPC 12202 - Replacement Pads

For PM 1000, PM 2000\*

- Carbon and coarse filter media, Foam large double pak, Packed 6 per master

## UPC 12203 - Replacement Pads

For PM 1000, PM 2000\*

- Carbon single pak, Packed 6 per master

## UPC 12204 - Replacement Pads

For PM 1000, PM 2000\*

- Coarse Poly single pak, Packed 6 per master

## UPC 12205 - Replacement Pads

For PM 1000, PM 2000\*

- Foam 2 pak, Packed 6 per master

## UPC 12285 - Extra Large Pre-Filter

For all mid-range pumps, 250 gph thru 700 gph\*\*

- Foam large single pak, Packed 6 per master

## UPC 12305 - Foam Blocks

For PM 2000

- Foam 4 pak, Packed 6 per master

## UPC 12505 - Replacement Pre-Filter

For all mid-range pumps, 250 gph thru 700 gph

- Sleeve small single pak, Packed 6 per master

## UPC 12600 - Foam Block

For Promotional kits 02272, 02273, 02160

- Pre-filter single pak, Packed 6 per master

## UPC 12605 - Pre-Filter

Pre-filter for MD 1, MD 1.5, MD 1.9

- Pre-filter 3 pak, Packed 6 per master

## UPC 12730

For 950 gph, 1200 gph, and 1800 gph pumps

- Foam single pak, Packed 6 per master

## UPC 12785 - Washable Pre-Filter

Fits 950-3600 gph pumps

- Molded Plastic, Packed 6 per master

## UPC 12200 - Bio-Matrix Media (Not Shown)

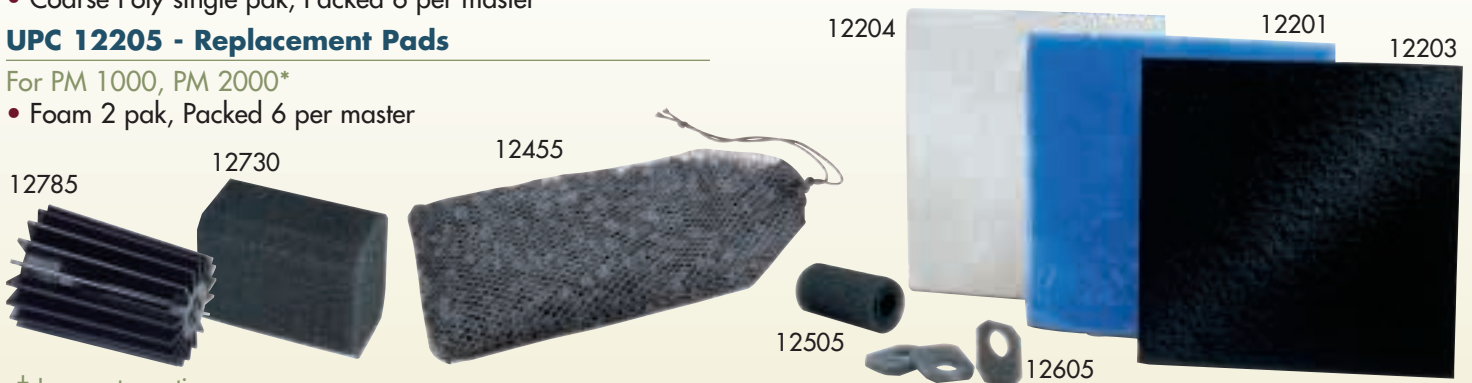
For Model 4000 Pressurized Filter

- 10 lb. mesh bag, Packed singly

## UPC 12455 - Bio-Matrix Media

Fits Small & Medium Filter Falls

- 2 lb. mesh bag, Packed 4 per master



† Low cost one time use

\* This filter media would also be a replacement for Pondmaster Kits 02212, 02213, 02215, and 02217

\*\* This filter media would also be a replacement for Aquabelle Kits 02282 and 02285

# POND ACCESSORIES

## Flexible Black Tubing, Flexible Liners and Underlayment

### Flexible Black Tubing

Thick walled tubing is kink resistant, the black color helps prevent the formation of algae.

<b>UPC 12138</b>	<b>3/8" I.D. x 20' roll</b> , packed 6 per master
<b>UPC 12012</b>	<b>1/2" I.D. x 10' roll</b> , packed 6 per master
<b>UPC 12158</b>	<b>5/8" I.D. x 20' roll</b> , packed 6 per master
<b>UPC 12034</b>	<b>3/4" I.D. x 100' roll</b> , individually packed
<b>UPC 12039</b>	<b>3/8" I.D. x 100' roll</b> , individually packed
<b>UPC 12013</b>	<b>1/2" I.D. x 100' roll</b> , individually packed
<b>UPC 12035</b>	<b>3/4" I.D. x 50' roll</b> , individually packed
<b>UPC 12050</b>	<b>1" I.D. x 50' roll</b> , individually packed

### Corrugated Black Tubing

Tubing is reinforced on the outside to resist kinking. Smooth on the inside to speed flow. All designed to accommodate barbed fittings.

<b>UPC 12402</b>	<b>1/2" I.D. x 100' roll</b> , packed 1 per master
<b>UPC 12403</b>	<b>3/4" I.D. x 100' roll</b> , packed 1 per master
<b>UPC 12410</b>	<b>1" I.D. x 100' roll</b> , packed 1 per master
<b>UPC 12411</b>	<b>1 1/4" I.D. x 100' roll</b> , packed 1 per master
<b>UPC 12412</b>	<b>1 1/2" I.D. x 50' roll</b> , packed 1 per master
<b>UPC 12420</b>	<b>2" I.D. x 50' roll</b> , packed 1 per master



### 45 Mil EDPM Synthetic Rubber Flexible Liners

For larger ponds and many years of use. Packed Individually.

<b>UPC 02101</b>	<b>10'x10'</b> for ponds up to 400 gallons
<b>UPC 02106</b>	<b>10'x15'</b> for ponds up to 750 gallons
<b>UPC 02105</b>	<b>12'x15'</b> for ponds up to 950 gallons
<b>UPC 02108</b>	<b>15'x20'</b> for ponds up to 1950 gallons
<b>UPC 02109</b>	<b>20'x25'</b> for ponds up to 3750 gallons

### 20 Mil PVC Flexible Liners

Easier to install, more flexible for smaller ponds.

<b>UPC 02111</b>	<b>5'x5'</b> for small barrels	<ul style="list-style-type: none"><li>• Packed 6 per master</li></ul>
<b>UPC 02122</b>	<b>8'x12'</b> for ponds up to 350 gallons	<ul style="list-style-type: none"><li>• Packed 2 per master</li></ul>
<b>UPC 02123</b>	<b>10'x12'</b> for ponds up to 550 gallons	<ul style="list-style-type: none"><li>• Packed 2 per master</li></ul>

### Roll Liners, 20 Mil PVC and 45 Mil EDPM

Larger rolls of flexible liners are available to accommodate custom size ponds.

<b>Item 02112</b>	<b>12'x100'</b> 20 mil PVC liner
<b>Item 02118</b>	<b>18'x120'</b> 20 mil PVC liner
<b>Item 02110</b>	<b>10'x100'</b> 45 mil EDPM liner
<b>Item 02120</b>	<b>20'x100'</b> 45 mil EDPM liner

### Underlayment - UPC 02125

Liner protection, will not rot or mildew, polypropylene and polyester blend material.

<b>15'x6'</b> padding to protect liner from roots and stones	<ul style="list-style-type: none"><li>• Packed 6 per master</li></ul>
--	---

# POND ACCESSORIES

## Fountain Head Kits and Submersible Lighting Kits

### Variable Fountain Head Kit - UPC 02077

Suitable for Pondmaster 190-700 gph pumps

- Three distinct adjustable patterns, High and Low Fleur-de-lis, and Lotus designs
- Includes two 7" extensions and pump adapter
- Packed 6 per master

### Bell Fountain Head Kit - UPC 02088

Suitable for Pondmaster 250-700 gph pumps

- Large adjustable Bell (mushroom) pattern
- Includes two 7" extensions and pump adapter
- Packed 6 per master

### Mini Bell Fountain Head Kit - UPC 02089

Suitable for Pondmaster 80-190 gph pumps

- Small adjustable Bell (mushroom) pattern
- Includes two 7" extensions
- Packed 6 per master

### Bubbler Fountain Head Kit - UPC 02095

For Pondmaster 9.5, 12, 18, 24 and 36

Suitable for Pondmaster 950-2400 gph pumps

- Large adjustable bubbling/foaming fountain head
- Includes 2 PVC extension stems with 3/4" pipe threads, and 2 couplings with 3/4" pipe threads
- Packed 6 per master

### Extension for Bubbler Kit - UPC 12099

For raising the Bubbler Fountain Head

- Includes 2 PVC extension stems with 3/4" Pipe threads, and 1 coupling with 3/4" pipe threads that are used to raise the fountain head
- Packed 6 per master

### Submersible Light Kit - UPC 02155

Suitable for all pond sizes

- 18' power cord with low voltage transformer
- 20 watt halogen light
- Heat resistant lens
- Sturdy support base
- Four interchangeable color lenses
- Operates in or out of water
- Packed 6 per master

### Submersible Light Kit - UPC 02183 (Not Shown)

3 Light Kit Suitable for all pond sizes

- 18' power cord with low voltage transformer
- 20 watt halogen light
- Heat resistant lens
- Sturdy support base
- Four interchangeable color lenses
- Operates in or out of water
- Packed 6 per master

### Replacement Halogen Bulb - UPC 12805

- Blister carded, packed 6 per master
- 20 Watts
- 12 Volts
- Average life 3000 hours
- Includes "O" ring



12805



02095



02088



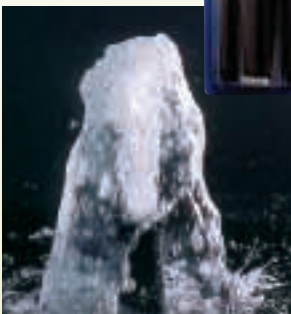
02077



02089



02155



# POND ACCESSORIES

## Air Pumps, Pond Heaters and Pond Netting

The **Pondmaster AP-Series** air pumps have been designed to satisfy the requirements of a multitude of water-related applications. All AP-Series air pumps operate on standard 110V electric and come with a 6' power cord. The non-oil lubricated motor is designed to operate efficiently and save energy. For outdoor applications, it is recommended that the unit be enclosed to protect it from the elements.



### USES

- Oxygenating ponds and aquariums for a cleaner aquatic environment
- Promoting healthier fish and aquatic plant life
- Increasing the breakdown of fish waste
- Preventing icing-over in outdoor ponds
- Driving protein skimmers

#### AP-40 - UPC 04540

<b>Air Volume</b>	<b>2900 cu.in/min</b>
<b>Max. Water Depth</b>	<b>10'</b>
<b>Noise Level</b>	<b>40 dba</b>
<b>Watts</b>	<b>40</b>
<b>Weight</b>	<b>9 lbs</b>
<b>Tubing (not included)</b>	<b>5/8" I.D.</b>
<b>Pressure</b>	<b>5.89 psi</b>

#### AP-60 - UPC 04560

<b>Air Volume</b>	<b>5500 cu.in/min</b>
<b>Max. Water Depth</b>	<b>9.6'</b>
<b>Noise Level</b>	<b>45 dba</b>
<b>Watts</b>	<b>50</b>
<b>Weight</b>	<b>14 lbs</b>
<b>Tubing (not included)</b>	<b>3/4" I.D.</b>
<b>Pressure</b>	<b>5.66 psi</b>

#### AP-100 - UPC 04580

<b>Air Volume</b>	<b>9150 cu.in/min</b>
<b>Max. Water Depth</b>	<b>11.5'</b>
<b>Noise Level</b>	<b>45 dba</b>
<b>Watts</b>	<b>100</b>
<b>Weight</b>	<b>16.5 lbs</b>
<b>Tubing (not included)</b>	<b>3/4" I.D.</b>
<b>Pressure</b>	<b>6.53 psi</b>

#### Pond De-Icer - UPC 02175

The Floating Winter Pond De-Icer is for use in those colder locations where typical winter temperatures result in significant or long-term icing of pond surfaces.

- 120 Watts of heating power
- Extremely energy efficient
- Thermostatic control to reduce heating time & save electricity
- Internal electronics epoxy-sealed for watertight protection
- 18' grounded power cord
- Made from rugged, high impact ABS plastic
- 1-year limited warranty
- Will not harm flexible liners or pre-formed ponds



#### Pond Netting

Catches falling leaves and protects fish from predators.

**UPC 02307** 7'x10' • Packed 18 per master

**UPC 02314** 4'x14' • Packed 12 per master

**UPC 02328** 28'x28' • Packed 6 per master



## WATER TREATMENTS

**Pondmaster Water Treatments** are an attractively packaged line of pond care products. Special formulas promote the health and beauty of the pond. Water quality is addressed by an extensive array of treatments, pH balance is easily tested and maintained. Fertilizer Tabs are specially formulated for aquatic plants.

### **Pondmaster Chloramine Remover - UPC 02820**

- Safely removes chlorine, chloramine, and heavy metals
- Helps lower toxic ammonia levels
- Reduces fish stress
- 16 oz. bottle treats 960 gallons, packed 6 per master

### **Pondmaster Super Clarifier - UPC 02825**

- Clears cloudy water fast
- Clears cloudy water conditions in pond water that has been agitated by adding water, cleaning or rain showers
- Settles suspended clays and silts by clumping them together for removal by siphoning or filtration
- 16 oz. bottle treats 960 gallons, packed 6 per master

### **Pondmaster Waste Remover - UPC 02830**

- Establishes and maintains biological filter
- Breaks down harmful organic sludge buildup that can cause ammonia and nitrite poisoning, low oxygen levels, cloudy water and low pH
- 16 oz. bottle treats 960 gallons, packed 6 per master

### **Pondmaster pH Lower - UPC 02815**

- Safely lowers pH in hard water areas
- Decreases alkalinity, increases acidity
- Helps neutralize the alkalinity of new cement ponds
- 16 oz. bottle treats 1,920 gallons, packed 6 per master

### **Pondmaster Pond Tint - UPC 02839**

- Colors water to a light blue tint
- Fish safe, inhibits algae growth
- 8 oz. bottle treats 8,000 gallons, packed 12 per master

### **Pondmaster Oxy Scrub - UPC 02863**

- Oxygen-powered formula
- Fish Safe in limited use
- 2 lb. container, Packed 6 per master

### **Pondmaster Pond Fix with Activated Barley**

**UPC 02865** 9.6 oz. jar treats 6,000 gallons

**UPC 02870** 2.5 lb. jar treats 20,000 gallons

- Restores balance to pond environment
- Cleans ponds by breaking down organic materials that create problems around waterfalls, streams, rocks, plant pots, pumps, and filtration systems
- Reduces excessive nutrient content that contributes to organic growth
- Enhances filtration systems
- 3 year shelf life
- Packed 6 per master

### **Pondmaster pH Buffer - UPC 02860**

- Stabilizes pH, maintains steady, safe pH levels for your pond year round
- Essential to convert nitrite to nitrate
- 20 oz. jar treats 5,000 gallons, packed 6 per master

### **Pondmaster Fertilizer Tabs - UPC 02835**

- Concentrated 10-14-8 formula maximizes blooms and foliage
- 9.5 oz. bottle contains 50 tablets, packed 6 per master

### **Pondmaster Pond Test Strips - UPC 02810**

- In one minute test for pH, nitrates, buffering capacity
- Contains 25 test strips and clear testing vial
- Packed 6 per master



## FISH FOOD

**Integra Fish Food:** A floating pellet designed to ensure the health of koi and other pond fish. This properly balanced fish food activates body mechanisms to grow, maintain and replace damaged worn-out tissue. It provides for energy storage during hibernation in the form of layers of fat.

### Integra 1 lb. Fish Food - UPC 55010

- 1 lb. packed, 6 per master

### Integra 2 lb. Fish Food - UPC 55020

- 2 lb. packed, 4 per master

### Integra 4 lb. Fish Food - UPC 55040

- 4 lb. packed, 4 per master

**Sho Koi Impact Fish Food:** The only Koi food with Optimun®, a biogenic performance enhancer, for rapid immune response to disease causing organisms. Contains no artificial coloring or dyes.

### Sho Koi Impact 2 lb. Fish Food - UPC 55120

- 2 lb. packed, 4 per master

### Sho Koi Impact 4 lb. Fish Food - UPC 55140

- 4 lb. packed, 4 per master

### Sho Gold Fish Food - UPC 55215

- 1.5 lb. packed 6 per master
- Sinking food



## GROUND FAULT INTERRUPTER

### Ground Fault Circuit Interrupter - UPC 02605

- Black plug-in, with a single female outlet
- Attractively boxed, UL & CSA listed
- Packed 6 per master



# FITTINGS

Individually packed in a poly bag with header, shipped 12 per carton

## UPC 02099

- DV99 Adjustable diverter
- 1/2" NPT male with one
- 1/2" NPT fem. coupling

## UPC 02090

- DV90 Adjustable diverter
- 3/4" NPT male with one
- 3/4" NPT fem. coupling

## UPC 02092

- DV92 Adjustable diverter
- 1" NPT male with one
- 1" NPT fem. coupling

## UPC 12153

- F153 3/8" NPT male x 3/4" barb

## UPC 12155

- F155 1/2" NPT male x 3/4" barb

## UPC 12255

- F225 1/2" NPT male x 3/8" barb

## UPC 12160

- F160 3/4" hose barb tee

## UPC 12175

- F175 1/2" NPT fem. x 1/2" fem. coup.

## UPC 12180

- F180 3/4" NPT fem. x 3/4" fem. coup.

## UPC 12185

- F185 garden hose thread swivel x 3/4" barb

## UPC 12250

- F250 1/2" NPT fem.x 1/2" barb

## UPC 12705

- F705 1/2" hose barb coup.

## UPC 12710

- F710 3/4" hose barb coup.

## UPC 12715

- F715 1" hose barb coup.

## UPC 12720

- F720 3/4" fem.x 1" barb

## UPC 12721

- F721 3/4" male.x 1" barb

## UPC 12725

- F725 3/4" fem.x 3/4" barb

## UPC 12732

- Replacement pump cover for 9.5

## UPC 12810

- 1/2" Plug

## UPC 12811

- 3/4" Plug

## UPC 12812

- 3/8" barb x 1/2" FIPT reducing elbow

## UPC 12816

- 1/2" barb x 1/2" barb x 1/2" barb tee

## UPC 12817

- 1" barb x 1" barb x 1" barb tee

## UPC 12818

- 3/4" barb x 3/4" barb x 1/2" barb. tee

## UPC 12819

- 1" barb x 3/4" barb x 1/2" barb tee

## UPC 12825

- 3/8" barb x 3/8" barb x 1/8" FIPT tee

## UPC 12826

- 3/4" barb x 3/4" barb x 1/2" FIPT tee

## UPC 12827

- 1/2" barb x 1/2" barb x 1/2" FIPT tee

## UPC 12828

- 3/4" barb x 1/2" barb x 1/2" FIPT tee

## UPC 12830

- 1" barb x 1" FIPT

## UPC 12835

- 3/4" b. x 3/4" b. x 1/2" b. x 1/2" b. cross

## UPC 12836

- 1" b. x 1" b.x 1/2" b. x 1/2" b. cross

## UPC 12837

- 1" b. x 1" b.x 3/4" b. x 3/4" b. cross

## UPC 12840

- 3/4" MIPT x 1/2" barb

## UPC 12841

- 1/2" MIPT x 1/4" barb

## UPC 12850

- 3/4" barb x 1/2" barb reducing coupling

## UPC 12851

- 1" barb x 1/2" barb reducing coupling

## UPC 12875

- 1" barb x 3/4" barb reducing coupling

## UPC 12855

- 1/2" b. x 1/2" b.x 1/2" b. x 1/2" b. cross

## UPC 12856

- 3/4" b. x 3/4" b.x 3/4" b. x 3/4" b. cross

## UPC 12857

- 1" b. x 1" b.x 1" b. x 1" b. cross

## UPC 12860

- 1/2" barb x 1/2" barb elbow

## UPC 12861

- 3/4" barb x 1/2" reducing elbow

## UPC 12862

- 1" barb x 3/4" barb reducing elbow

## UPC 12863

- 1/2" barb x 1/2" FIPT combo elbow

## UPC 12864

- 1-1/4" barb x 1-1/4" FIPT combo elbow

## UPC 12885

- 1/2" barb x 3/8" barb

## UPC 12890

- 5/8" barb x 1/2" barb

## UPC 12880

- 1" barb x 1-1/2" barb

## UPC 12893

- 3/4" FIPT x 1/2" FIPT

## UPC 12894

- 1" FIPT x 3/4" FIPT

## BALL VALVES/CHECK VALVES

Individually boxed, shipped 12 per carton, except where noted

### UPC 12905

- 1/2" threaded ball valve

### UPC 12910

- 3/4" threaded ball valve

### UPC 12915

- 1" threaded ball valve

### UPC 12920

- 1-1/4" threaded ball valve
- 6 per carton

### UPC 12925

- 1 1/2" socket ball valve
- 6 per carton

### UPC 12930

- 2" socket ball valve
- 6 per carton

### UPC 12922

- 1 1/4" check valve hose x hose

### UPC 12932

- 2" check valve hose x hose
- 6 per carton



## NEW REPLACEMENT IMPELLERS

Packed 6 per master and individually blister packed or boxed

### UPC 12650

- For mini pump, UPC 02510
- Individually blister packed

### UPC 11655

- For MD1 pump, UPC 02520
- Individually blister packed

### UPC 12655

- For MD1.5 pump, UPC 02521
- Individually blister packed

### UPC 12955

- For MD1.9 pump, UPC 02519
- Individually blister packed

### UPC 12485

- For statuary pump, UPC 02505

### UPC 12490

- For statuary pumps,  
UPC 02506, UPC 02507

### UPC 12495

- For statuary pump, UPC 02508

### UPC 12555

- For Pumps:  
MD 2 pump, UPC 02512  
PM 2 pump, UPC 02522

### UPC 12575

- For Pumps:  
MD 3 pump, UPC 02513  
PM 3 pump, UPC 02523  
MD 5 pump, UPC 02515  
PM 5 pump, UPC 02525

### UPC 12585

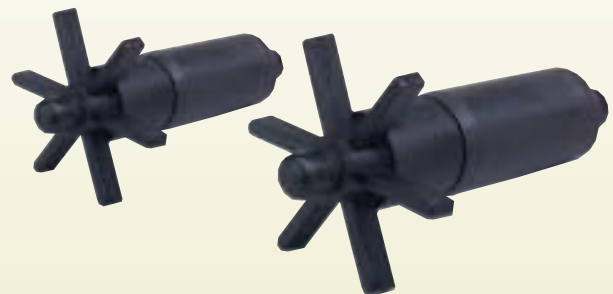
- For Pumps:  
MD 7 pump, UPC 02517  
PM 7 pump, UPC 02527

### UPC 12745

- For Pumps:  
MD 9.5 pump, UPC 02710  
PM 9.5 pump, UPC 02720

### UPC 12770

- For all HY-Drive pumps



## ROLLING PUMP DISPLAYS

When properly displayed Pondmaster Pond Products make a powerful statement to the retail customer. Fully stocked four-foot or larger areas will substantially increase the sales of these highly profitable products to both new and experienced waterscapists.



Display 25530

Display 26000

### UPC 25530, 25550 and 25560

Statuary and Fountain Replacement Pumps, Water Treatments, Hose Clamps, Barbs, PVC Tubing

#### UPC 25530 - 2' 4-Shelf Display

Top Shelf	Pieces
<b>02620</b> • 75 GPH, flow control, 6' cord	6
<b>02621</b> • 110 GPH, flow control, 6' cord	6
<b>02871</b> • Fountain Clear Water Treatment, 8 oz.	6
<b>02873</b> • Fountain Foam Remover, 8 oz.	6
<b>02875</b> • Fountain De-Lime, 8 oz.	6
<b>02880</b> • Fountain Enzymatic Cleaner, 8 oz.	6
Shelf Two	Pieces
<b>02622</b> • 150 GPH, flow control, 6' cord	6
<b>02619</b> • 190 GPH, flow control, 10' cord	12
Shelf Three	Pieces
<b>02616</b> • 375 GPH, flow control, 18' cord	6
<b>02618</b> • 750 GPH, flow control, 18' cord	6
Bottom Shelf	Pieces
<b>12013</b> • 1/2" x 100' black PVC tubing	2
<b>12039</b> • 3/8" x 100' black PVC tubing	2
Hanging Items	Pieces
<b>12190</b> • Hose clamp for 3/8" to 3/4" tubing (2 pieces per pack)	12
<b>12885</b> • 1/2" Barb x 3/8" Barb	6
<b>12705</b> • 1/2" Barb x 1/2" Barb	6
<b>12255</b> • 1/2" MIPT x 3/8" Barb	6

#### UPC 25550 - 3' 4-Shelf Display

Top Shelf	Pieces
<b>02605</b> • GFCI Plug-in	6
<b>02871</b> • Fountain Clear Water Treatment, 8 oz.	6
<b>02873</b> • Fountain Foam Remover, 8 oz.	6
<b>02875</b> • Fountain De-Lime, 8 oz.	6

## 25550 - 3' 4-Shelf Display Continued

<b>02880</b> • Fountain Enzymatic Cleaner, 8 oz.	6
<b>02620</b> • 75 GPH, flow control, 6' cord	12
<b>02621</b> • 110 GPH, flow control, 6' cord	12
<b>Shelf Two</b>	<b>Pieces</b>
<b>02619</b> • 190 GPH, flow control, 10' cord	24
<b>02615</b> • 260 GPH, flow control, 18' cord	6
<b>Shelf Three</b>	<b>Pieces</b>
<b>02616</b> • 375 GPH, flow control, 18' cord	6
<b>02617</b> • 515 GPH, flow control, 18' cord	6
<b>02618</b> • 750 GPH, flow control, 18' cord	6
<b>02622</b> • 150 GPH, flow control, 6' cord	6
<b>Bottom Shelf</b>	<b>Pieces</b>
<b>12013</b> • 1/2" x 100' black PVC tubing	5
<b>12039</b> • 3/8" x 100' black PVC tubing	3
<b>Hanging Items</b>	<b>Pieces</b>
<b>12885</b> • 1/2" Barb x 3/8" Barb	12
<b>12705</b> • 1/2" Barb x 1/2" Barb	12
<b>12816</b> • 1/2" Barb x 1/2" Barb x 1/2" "T"	12
<b>12155</b> • 1/2" MIPT x 3/4" Barb	12
<b>12255</b> • 1/2" MIPT x 3/8" Barb	12
<b>12841</b> • 1/2" MIPT x 1/4" Barb	12
<b>12890</b> • 1/2" Barb x 5/8" Barb	12
<b>12190</b> • Hose clamp for 3/8" to 3/4" tubing (2 pieces per pack)	12

## 25560 - 3' 5-Shelf Display

<b>Top Shelf</b>	<b>Pieces</b>
<b>02620</b> • 75 GPH, flow control, 6' cord	12
<b>02621</b> • 110 GPH, flow control, 6' cord	12
<b>02605</b> • GFCI Plug-in	6
<b>02871</b> • Fountain Clear Water Treatment, 8 oz.	6
<b>02873</b> • Fountain Foam Remover, 8 oz.	6
<b>02875</b> • Fountain De-Lime, 8 oz.	6
<b>02880</b> • Fountain Enzymatic Cleaner, 8 oz.	6
<b>Shelf Two</b>	<b>Pieces</b>
<b>02622</b> • 150 GPH, flow control, 6' cord	12
<b>02619</b> • 190 GPH, flow control, 10' cord	24

## 25560 - 3' 5-Shelf Display Continued

<b>Shelf Three</b>	<b>Pieces</b>
<b>02615</b> • 260 GPH, flow control, 18' cord	12
<b>02616</b> • 375 GPH, flow control, 18' cord	12
<b>Shelf Four</b>	<b>Pieces</b>
<b>02617</b> • 515 GPH, flow control, 18' cord	12
<b>02618</b> • 750 GPH, flow control, 18' cord	12
<b>Bottom Shelf</b>	<b>Pieces</b>
<b>12013</b> • 1/2" x 100' black PVC tubing	5
<b>12039</b> • 3/8" x 100' black PVC tubing	3
<b>Hanging Items</b>	<b>Pieces</b>
<b>12885</b> • 1/2" Barb x 3/8" Barb	12
<b>12705</b> • 1/2" Barb x 1/2" Barb	12
<b>12816</b> • 1/2" Barb x 1/2" Barb x 1/2" "T"	12
<b>12155</b> • 1/2" MIPT x 3/4" Barb	12
<b>12255</b> • 1/2" MIPT x 3/8" Barb	12
<b>12841</b> • 1/2" MIPT x 1/4" Barb	12
<b>12890</b> • 1/2" Barb x 5/8" Barb	12
<b>12190</b> • Hose clamp for 3/8" to 3/4" tubing (2 pieces per pack)	12

## UPC 26000 - Winterizing Display

Air Pump, De-Icer, and Fountainhead Kit, Debris Nets, Water Treatment Chemicals, Submersible Light Kit, GFCI Receptacle

<b>Top Shelf</b>	<b>Pieces</b>
<b>02155</b> • Submersible Light Kit with Transformer	6
<b>02846</b> • 2.5 lbs. Pond Salt	12
<b>02820</b> • 16 oz. Chloramine Remover	12
<b>02605</b> • Plug-In GFCI Black	6
<b>02273</b> • Promo 190 GPH Pump & Fountain Kit	8
<b>Shelf Two</b>	<b>Pieces</b>
<b>02175</b> • Floating Pond De-Icer with 18' Power Cord	20
<b>Shelf Three</b>	<b>Pieces</b>
<b>04540</b> • Air Pump 2900 cu in/min with Diffuser AP-40	8
<b>Bottom Shelf</b>	<b>Pieces</b>
<b>02307</b> • 7' x 10' Pond Netting	18
<b>02314</b> • 14' x 14' Pond Netting	12
<b>02328</b> • 28' x 28' Pond Netting	6

## PUMPING FLOW VERSUS PUMPING HEIGHT

Use this chart to determine the proper size pump for a pond with a waterfall. The height of the waterfall above the surface of the pond is the Head Height. To reduce the frictional losses of hose and filter always use the largest diameter hose possible.

Pump Type	PM Item#	MD Item#	Maximum Flow	Flow at 1'	Flow at 2'	Flow at 3'	Flow at 4'	Flow at 5'	Flow at 6'	Flow at 7'	Flow at 8'	Flow at 9'	Flow at 10'	Shut Off Feet	
Magnetic Drives	-	02501	35	22	15	-	-	-	-	-	-	-	-	2'	
	-	02510	75	40	15	-	-	-	-	-	-	-	-	2'	
	-	02520	80	42	17	-	-	-	-	-	-	-	-	2'6"	
	-	02521	140	120	80	60	40	30	-	-	-	-	-	6'	
	-	02519	190	174	167	143	125	93	68	36	-	-	-	7'	
	02522	02512	250	270	225	204	150	78	29	-	-	-	-	7'	
	02523	02513	350	404	384	336	294	270	192	168	96	40	-	10'6"	
	02525	02515	500	480	474	426	378	324	276	204	132	72	-	10'6"	
	02527	02517	700	528	492	462	426	390	336	288	210	132	96	11'8"	
	02720	02710	950	780	762	738	714	684	654	612	558	540	450	12'10"	
	02722	02712	1200	972	942	882	822	798	756	714	660	564	588	13'6"	
	02728	02718	1800	1152	1092	1032	978	924	840	828	792	744	720	15'6"	
	02750	02740	2400	1908	1782	1710	1590	1632	1446	1344	1260	1182	1110	17'6"	
	02755	02745	3600	2400	2334	2064	2046	1926	1980	1842	1818	1782	1668	18'4"	
-	02760	5000	2664	2616	2538	2448	2316	2310	2298	2190	2076	2016	19'2"		
Hy-Drives	Pro 3200-XP	02680	3150	2658	2424	2370	2076	1944	1812	1632	1356	1098	846	12'	
	Pro 4000-XP	02675	4000	2880	2724	2604	2484	2226	2088	1926	1764	1560	1260	14'	
	Pro 4800-XP	02670	4800	3030	3000	2736	2580	2460	2256	2076	1950	1800	1608	15'	
Waterfall Pumps	-	02650	2000	1386	1416	1374	1374	1086	1026	942	828	744	654	13'2"	
	-	02660	3000	2022	1938	1866	1782	1644	1560	1470	1356	1242	1110	14'6"	
Clam Shells	-	02620	75	45	15	3	-	-	-	-	-	-	-	2'6"	
		02621	110	100	85	67	40	-	-	-	-	-	-	4'6"	
		02622	150	136	125	100	75	40	-	-	-	-	-	6'	
		02615	260	260	235	210	160	80	35	-	-	-	-	7'	
		02616	375	395	384	336	294	270	192	168	96	40	25	11'	
		02617	515	500	474	426	378	324	276	204	132	72	35	11'	
		02618	750	590	492	462	426	390	336	288	210	132	96	12'5"	
Pump Type	Model#	UPC	Maximum Flow	Flow at 5'	Flow at 10'	Flow at 15'	Flow at 20'	Flow at 25'	Flow at 30'	Flow at 35'	Flow at 40'	Flow at 45'	Flow at 50'	Shut Off Feet	
X-Series	Model X-2520	02775	2520	2450	1050	-	-	-	-	-	-	-	-	11'2"	
	Model X-4140	02776	4140	4050	3050	-	-	-	-	-	-	-	-	14'0"	
	Model X-6120	02777	6120	5150	4750	2150	-	-	-	-	-	-	-	15'4"	
	Model X-7020	02778 Low	2940	2940	1950	-	-	-	-	-	-	-	-	-	11'8"
		02778 High	7020	7020	6300	6250	5750	5250	4950	4500	3950	3250	-	-	50'
	Model X-8400	02779 Low	3600	3600	2650	-	-	-	-	-	-	-	-	-	14'
		02779 High	8400	8400	7950	7600	7500	7000	6650	6200	5550	4950	4000	-	54'6"

# PUMP DATA CHART

ITEM#	DESCRIPTION	MAX PUMP HEIGHT (SHUT OFF)	GPH AT 1FT	POWER CORD LENGTH	MAXIMUM WATTAGE/AMPS	INLET SIZE OUTLET SIZE	FEATURES	PRE FILTER	PUMP SIZE* L X W X H
02501	SP 35	2'	22	6'	5.0/0.1	No Thread 1/2" Hose	Adjustable Flow	No	1.9x1.4x1.69
02510	TT 75	2'	40	6'	5.0/0.1	No Thread 5/16 or 1/2" Hose	Adjustable Flow	No	2.5x1.8x2.8
02520	Statuary 1	3'	42	6'	6.0/0.14	No Thread 3/8 or 1/2" Hose	Adjustable Flow	Yes	2.9x2.2x2.7
02621	Statuary 1.1	4'	100	6'	9.0/0.17	No Thread 3/8 or 1/2" Hose	Adjustable Flow	Yes	3x2.2x3
02521	Statuary 1.5	6'	120	6'	9.0/0.17	No Thread 3/8 or 1/2" Hose	Adjustable Flow	Yes	2.9x2.2x2.7
02519	Statuary 1.9	7'	174	10'	19/0.3	No Thread 1/4" NPT, 3/8" or 1/2" Hose	Adjustable Flow	Yes	3.5x2.2x3.2
02522	PM 250	7'	250	18'	24/0.3	1/2" Hose Barb 1/2" NPT	Use Inline or Submerged	Yes	5.0x3.8x4.2
02523	PM 350	10.5'	350	18'	35/0.6	1/2" Hose Barb 1/2" NPT	Use Inline or Submerged	Yes	5.0x3.8x4.2
02525	PM 500	10.5'	450	18'	45/0.8	1/2" Hose Barb 1/2" NPT	Use Inline or Submerged	Yes	5.0x3.8x4.2
02527	PM 700	12.5'	650	18'	60/1.3	1/2" Hose Barb 1/2" NPT	Use Inline or Submerged	Yes	5.0x3.8x4.2
02720	PM 950	14'	950	18'	93/1.33	3/4" NPT	Use Inline or Submerged	Yes	5.5x3.4x5
02722	PM 1200	15'	1200	18'	110/1.5	3/4" NPT	Use Inline or Submerged	Yes	6.4x4.5x4.6
02728	PM 1800	20'	1800	18'	145/1.5	3/4" NPT	Use Inline or Submerged	Yes	6.4x4.5x4.6
02750	PM 2400	20'	2400	18'	265/3.0	1" NPT	Use Inline or Submerged	Yes	7.5x4.0x6.0
02755	PM 3600	24'	3600	18'	380/3.0	1" NPT	Use Inline or Submerged	Yes	7.5x4.0x6.0
02760	PM 5000	28'	5000	18'	475/4.1	1-1/4" NPT 1-1/2" NPT	Use Inline or Submerged	Yes	12.0x7.0x8.0
02512	MD 2	7'	250	10'	24/0.3	1/2" NPT	Use Inline or Submerged	Yes	5.0x3.8x4.2
02513	MD 3	10.5'	350	10'	35/0.6	1/2" NPT	Use Inline or Submerged	Yes	5.0x3.8x4.2
02515	MD 5	10.5'	450	10'	45/0.8	1/2" NPT	Use Inline or Submerged	Yes	5.0x3.8x4.2
02517	MD 7	12.5'	650	10'	70/1.3	1/2" NPT	Use Inline or Submerged	Yes	5.0x3.8x4.2
02710	MD 9.5	14'	950	10'	93/1.33	3/4" NPT	Use Inline or Submerged	Yes	5.5x3.4x5
02712	MD 12	15'	1200	10'	110/1.5	3/4" NPT	Use Inline or Submerged	Yes	6.4x4.5x4.6
02718	MD 18	20'	1800	10'	145/1.5	3/4" NPT	Use Inline or Submerged	Yes	6.4x4.5x4.6
02740	MD 24	20'	2400	10'	265/3.0	1" NPT	Use Inline or Submerged	Yes	7.5x4.0x6.0
02745	MD 36	24'	3600	10'	380/3.0	1" NPT	Use Inline or Submerged	Yes	7.5x4.0x6.0

The Max Pump Height x .454 = PSI    Gallons x 3.8 = Liters    Cubic Feet x 7.5 = Gallons

\* Dimensions are in inches and do not include any allowances for hose, fittings, cord, or prefilter

Specifications subject to change without notice

# ProLine™

By PONDMASTER®

**Pondmaster™ is one of the oldest and most respected names in water garden and pond products – preferred by professionals and consumers alike.** With the dynamic growth in outdoor water installations, there has been an equally dynamic growth in the number of professional installers. This increased growth has increased competition within the industry and, consequently a demand for better, more reliable, and more competitively priced products.

ProLine™ by Pondmaster is our answer to this demand. We have closely examined each category of product used in building a reliable water feature – pumps, filters, skimmers, bio-falls, etc. Where necessary, we have re-engineered or redesigned units for ease of assembly and installation. We have increased pumping capacities to accommodate larger installations. We have introduced new products for emerging applications, like continuous, self-contained falls and streams.

This catalog represents the core of our expanding ProLine product offerings. We are continually working on additions and improvements to help the professional do better, faster and more reliable installations. If you are looking for a product and do not see it here, contact us and we'll let you know where it is in our development schedule.



# PRO SKIMMERS

The **Pro 5000 Skimmer** removes Surface Debris For ponds with a surface area up to 500 sq. ft.

## FEATURES

- Strong cylindrical shaped housing that resists side cave ins
- Made from heavy duty high density polyethylene
- Anchoring feature holds skimmer in place when buried
- Large adjustable 11" x 7" weir door for maximum skimming with fish safe wings
- Can fit up to two pumps to feed two waterfalls from the same skimmer
- Large capacity clog resistant leaf basket that keeps debris away from the pump
- Accommodates most pumps up to 8,000 GPH
- Maximum bulkhead placement versatility with fittings for 1-1/2" and 2" flex tubing
- Reinforced skimmer lid, strong enough to stand on
- For maximum cleaning, use with Pondmaster Pressurized Filter System

## Pro 5000 Skimmer - UPC 02475

<b>Unit Dimensions</b>	<b>26" L x 24" W x 23" H</b>
<b>Weir Size Opening</b>	<b>11" x 7"</b>
<b>Maximum Pond Area</b>	<b>800 Sq. Ft.</b>
<b>Maximum Pump Capacity</b>	<b>8,000 GPH</b>
<b>Weight</b>	<b>18 lbs.</b>



Removable Debris Basket

# PRO BIOLOGICAL FILTER AND FALLS

The **Pro Biological Filter and Falls** are a Complete Waterfall Filtration System. They filter and aerate the water while creating the beauty of a waterfall or stream.

## FEATURES

- Extra-wide spillway for greater water aeration
- Open swirl chamber for even and efficient water flow through the filter media
- 3 separate filtering actions for super-clean water
- Easily buried in ground to hide canister from sight
- Extra-large capacity designed to increase biological filtration
- Clean once a year under normal use

### Pro 3000 Filter and Falls - UPC 02480

<b>Unit Dimensions</b>	<b>18" L x 10" W x 10" H</b>
<b>Waterfall width</b>	<b>16" Opening</b>
<b>Container Capacity</b>	<b>4 Gallons</b>
<b>Maximum Pump Flow</b>	<b>3000 GPH</b>
<b>Weight</b>	<b>3 lbs.</b>



02480

### Pro 5000 Filter and Falls - UPC 02490

<b>Unit Dimensions</b>	<b>18" L x 18" W x 20" H</b>
<b>Waterfall width</b>	<b>18" Opening</b>
<b>Container Capacity</b>	<b>12 Gallons</b>
<b>Maximum Pump Flow</b>	<b>5000 GPH</b>
<b>Weight</b>	<b>10 lbs.</b>



02490

## PRO 4800 PUMP VAULT

The ProLine™ Pro 4800 Pump Vault is a sturdy, large capacity housing used in self-contained waterfalls and streams. It will accommodate submersible pumps up to 5000 GPH. A self-contained waterfall or stream is easy to install and even easier to maintain – and best of all it's pet- and child-safe. The ProLine Pro 4800 Pump Vault is the basis for creating a long-lasting, trouble-free installation.

### FEATURES

- Acts as a large pre-filter to protect submerged pump intakes from getting clogged with gravel or debris
- Built of rugged, weather-resistant Polyethylene plastic
- Can be safely buried below grade
- Reinforced lid withstands the weight of gravel and stones
- Works great for fountains or any water gardening feature
- Port for mounting auto fill valve

### Pro 4800 Pump Vault - UPC 02460

<b>Unit Dimensions</b>	<b>23" L x 23" W x 25" H</b>
<b>Weight</b>	<b>16 lbs.</b>



02460

# POND KITS

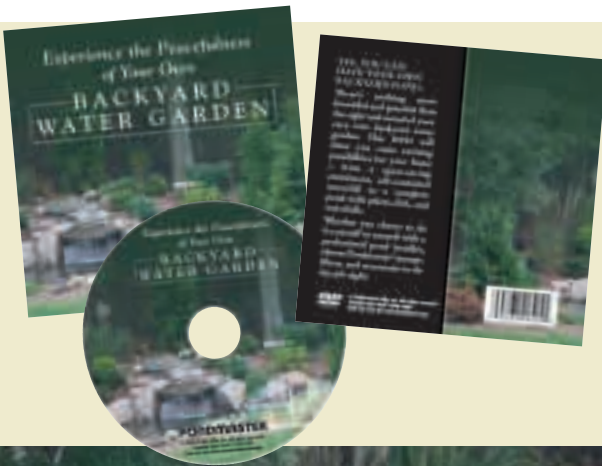
Save valuable time with a pre-assorted pond kit. They are available in a number of intelligent configurations designed to make installations quick and easy for ponds from 1000 to 5000 gallons. Quality made, compatible components always "fit together", drastically reducing labor and costly call-backs. Contact your distributor for a complete listing of the various kits that are available for "off-the-shelf", immediate delivery directly to the job site.



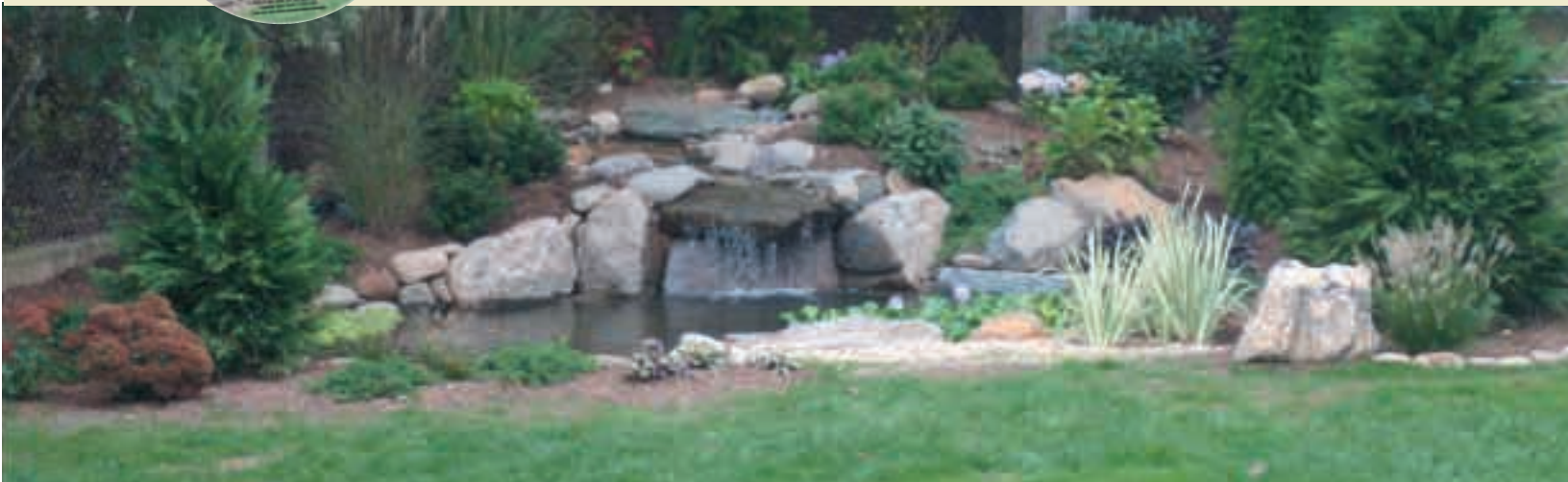
Note: These are just examples of the different products that may be used in the ProLine Pond Kits. Products may vary in actual Kits.

## HOW TO BUILD A POND DVD

**Professionally produced for the professional installer.** We are offering our complete 14+ minute installation DVD that has been written and filmed specifically to give some valuable proven tips and techniques to the professional installer. This helpful DVD shows how to quickly and profitably install a residential backyard pond that will thrill the homeowner and bring about additional referral business.



The companion DVD, geared to the consumer, is designed to encourage a positive outlook for a backyard installation. It focuses on shots of successfully installed ponds – both large and small – and even refers to the popular continuous flow, self-contained waterfall installations. Although it indicates that an accomplished do-it-yourselfer could build one, it encourages contacting a professional installer.



# PONDMASTER



DANNER MFG. INC.  
ISLANDIA, NY 11749-1489  
WWW.DANNERMFG.COM  
631.234.5261